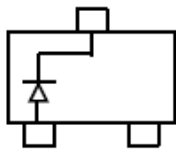
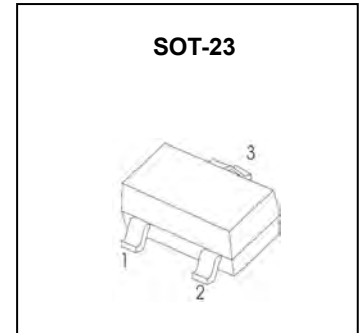


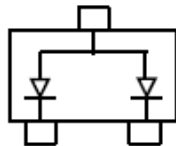
FEATURES

- Fast Switching Speed
- Surface Mount Package Ideally Suited for Automatic Insertion
- For General Purpose Switching Applications
- High Conductance
- Moisture Sensitivity Level 1



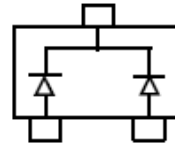
BAS21

Marking: JS



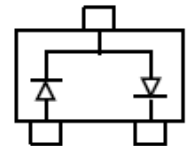
BAS21A

Marking:JS2



BAS21C

Marking:JS3



BAS21S

Marking: JS4A | ARV

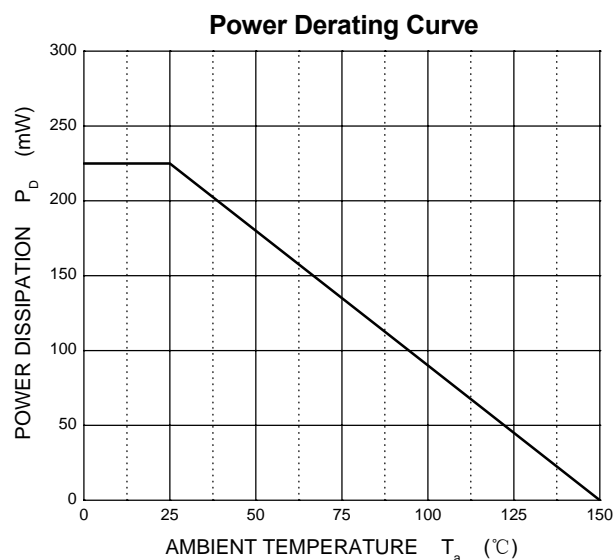
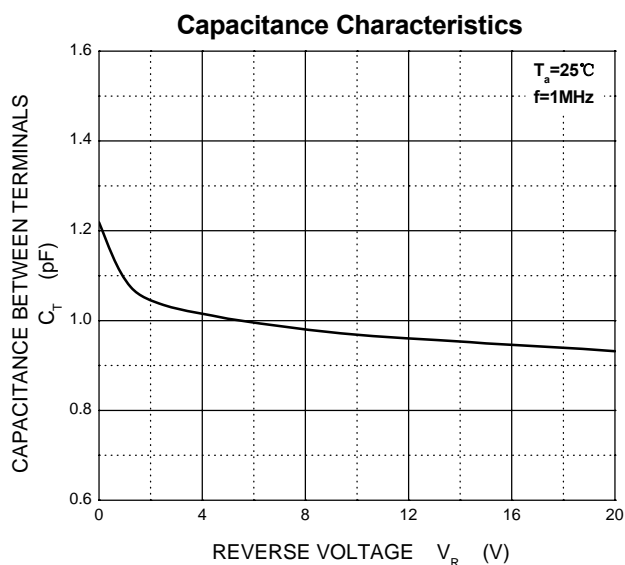
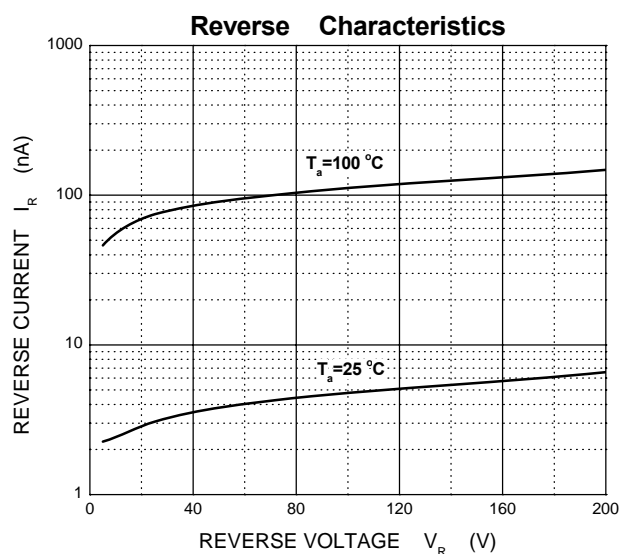
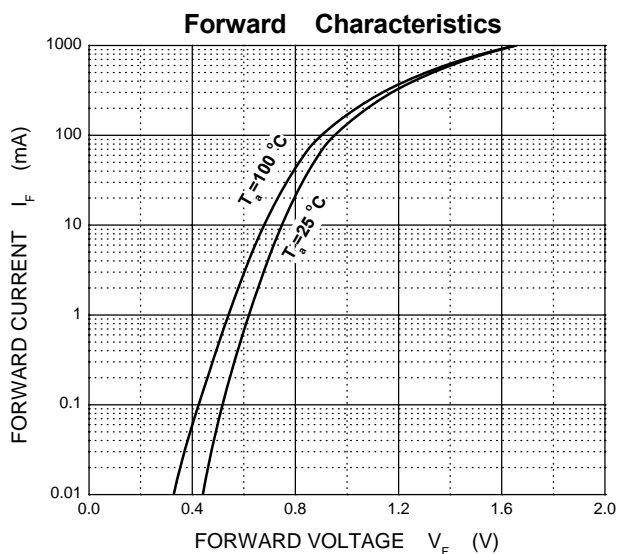
Maximum Ratings @Ta=25°C

Parameter	Symbol	Limit	Unit
Repetitive peak reverse voltage	V_{RRM}	250	V
Working peak reverse voltage	V_{RWM}		
DC blocking voltage	V_R		
Forward continuous current	I_{FM}	400	mA
Average rectified output current	I_O	200	mA
Non-repetitive peak forward surge current	I_{FSM}	@ t = 1.0µs 2.5	A
		@ t = 1.0s 0.5	
Repetitive peak forward surge current	I_{FRM}	625	mA
Power dissipation	P_D	225	mW
Thermal resistance junction to ambient	$R_{\theta JA}$	55	°C/W
Junction temperature	T_J	150	°C
Operating/Storage temperature range	T_{STG}	-55~+150	°C

ELECTRICAL CHARACTERISTICS (Ta=25°C unless otherwise specified)

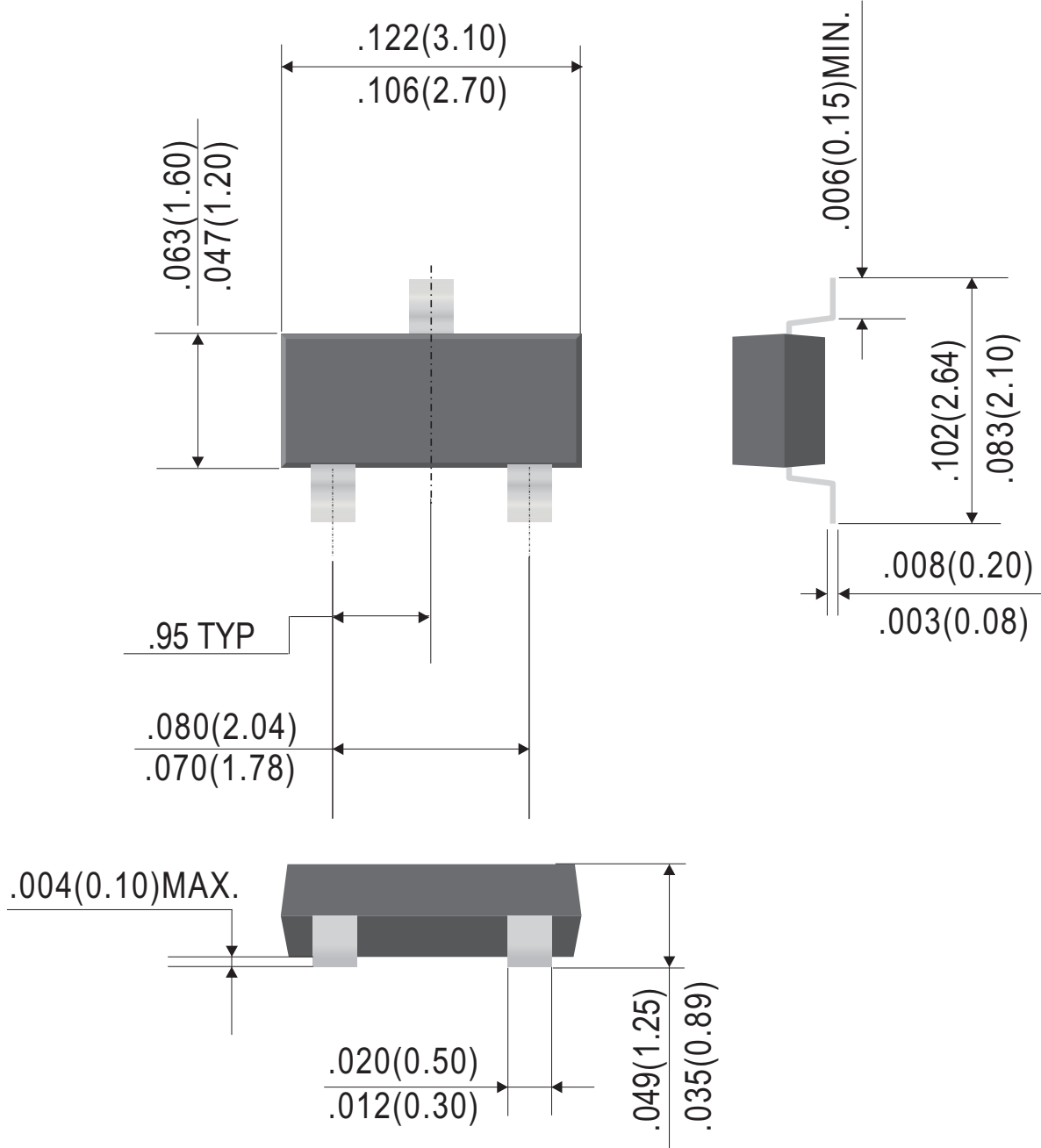
Parameter	Symbol	Test conditions	Min	Max	Unit
Reverse breakdown voltage	$V_{(BR)}$	$I_R = 100\mu A$	250		V
Reverse voltage leakage current	I_R	$V_R = 200V$		0.1	µA
Forward voltage	V_F	$I_F = 100mA$ $I_F = 200mA$		1000 1250	mV
Diode capacitance	C_D	$V_R = 0V, f = 1MHz$		5	pF
Reverse recovery time	t_{rr}	$I_F = I_R = 30mA, I_{tr} = 0.1 \times I_R, R_L = 100 \Omega$		50	ns

Typical Characteristics



Outline Drawing

SOT-23

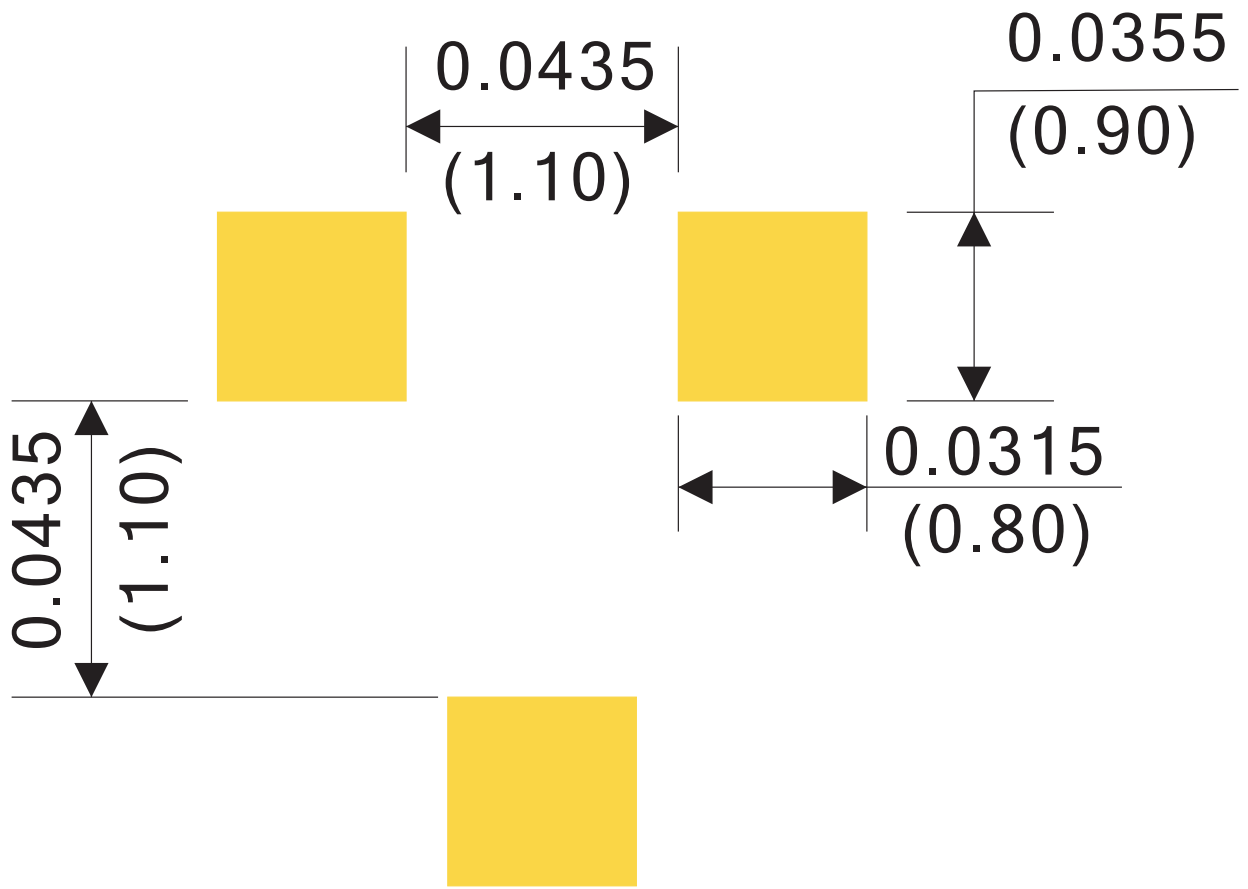


Dimensions in inches and (millimeters)

Rev.E

Suggested Soldering Pad Layout

SOT-23



Dimensions in inches and (millimeters)

RevA

Ordering Information:

Device PN	Packing
Part Number-T ⁽¹⁾ G ⁽²⁾ -WS	Tape&Reel: 3 Kpcs/Reel

Note: (1) Packing code, Tape&Reel Packing

(2) RoHS product for packing code suffix "G" ; Halogen free product for packing code suffix "H"

*****Disclaimer*****

WILLAS reserves the right to make changes without notice to any product specification herein, to make corrections, modifications, enhancements or other changes. WILLAS or anyone on its behalf assumes no responsibility or liability for any errors or inaccuracies. Data sheet specifications and its information contained are intended to provide a product description only. "Typical" parameters which may be included on WILLAS data sheets and/ or specifications can and do vary in different applications and actual performance may vary over time. WILLAS does not assume any liability arising out of the application or use of any product or circuit.

WILLAS products are not designed, intended or authorized for use in medical, life-saving implant or other applications intended for life-sustaining or other related applications where a failure or malfunction of component or circuitry may directly or indirectly cause injury or threaten a life without expressed written approval of WILLAS. Customers using or selling WILLAS components for use in such applications do so at their own risk and shall agree to fully indemnify WILLAS Inc and its subsidiaries harmless against all claims, damages and expenditures.