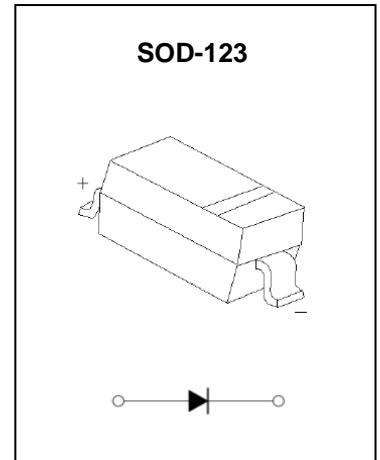


FEATURES

- Moisture Sensitivity Level 1
- Fast Switching Speed
- Surface Mount Package Ideally Suited for Automatic Insertion
- For General Purpose Switching Applications
- High Conductance



Marking Code : 6 5 J% K : ' 5 ,
6 5 J & \$ K : ' H &
6 5 J & % K : ' H

Maximum Ratings and Electrical Characteristics, Single Diode @Ta=25°C

Parameter	Symbol	BAV19W	BAV20W	BAV21W	Unit
Non-Repetitive Peak Reverse Voltage	V_{RM}	120	200	250	V
Peak Repetitive Peak Reverse Voltage	V_{RRM}				
Working Peak Reverse Voltage	V_{RWM}	100	150	250	V
DC Blocking Voltage	V_R				
RMS Reverse Voltage	$V_{R(RMS)}$	71	106	141	V
Forward Continuous Current	I_{FM}		400		mA
Average Rectified Output Current	I_O		200		mA
Peak Forward Surge Current @t=1.0ms	I_{FSM}		2.5		A
@t=1.0s			0.5		
Repetitive Peak Forward Current	I_{FRM}		625		mA
Power Dissipation	P_d		500		mW
Thermal Resistance Junction to Ambient	$R_{\theta JA}$		250		°C/W
Storage Temperature	T_{STG}		-55~+150		°C

Electrical Ratings @Ta=25°C

Parameter	Symbol	Min	Typ	Max	Unit	Conditions
Forward voltage	V_{F1}			1.0	V	$I_F=0.1A$
	V_{F2}			1.25		$I_F=0.2A$
Reverse current	I_R			0.1	μA	$V_R=100V$
				0.1		$V_R=150V$
				0.1		$V_R=200V$
Capacitance between terminals	C_T			5	pF	$V_R=0V, f=1MHz$
Reverse recovery time	t_{rr}			50	ns	$I_F=I_R=30mA$ $I_{rr}=0.1I_R, R_L=100\Omega$

Typical Characteristics

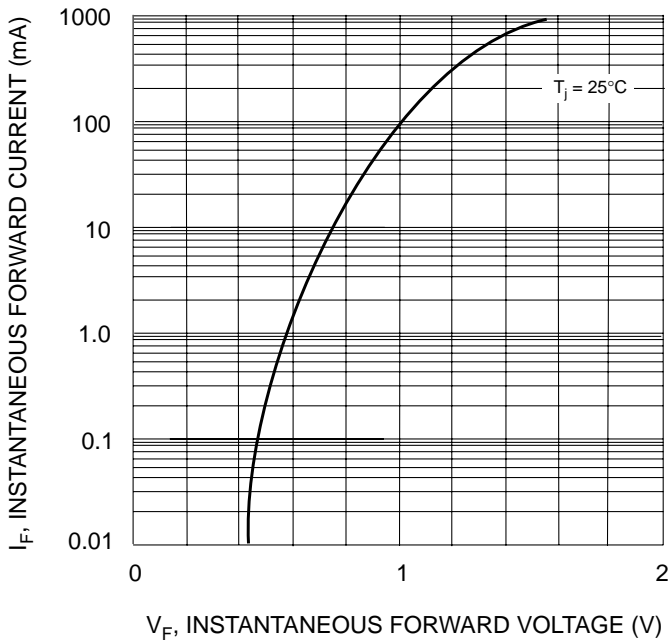


Fig. 1 Forward Characteristics

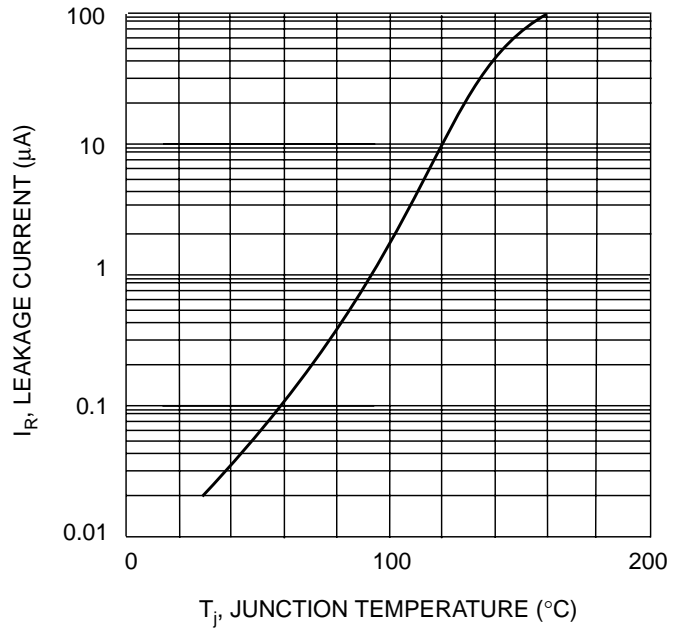
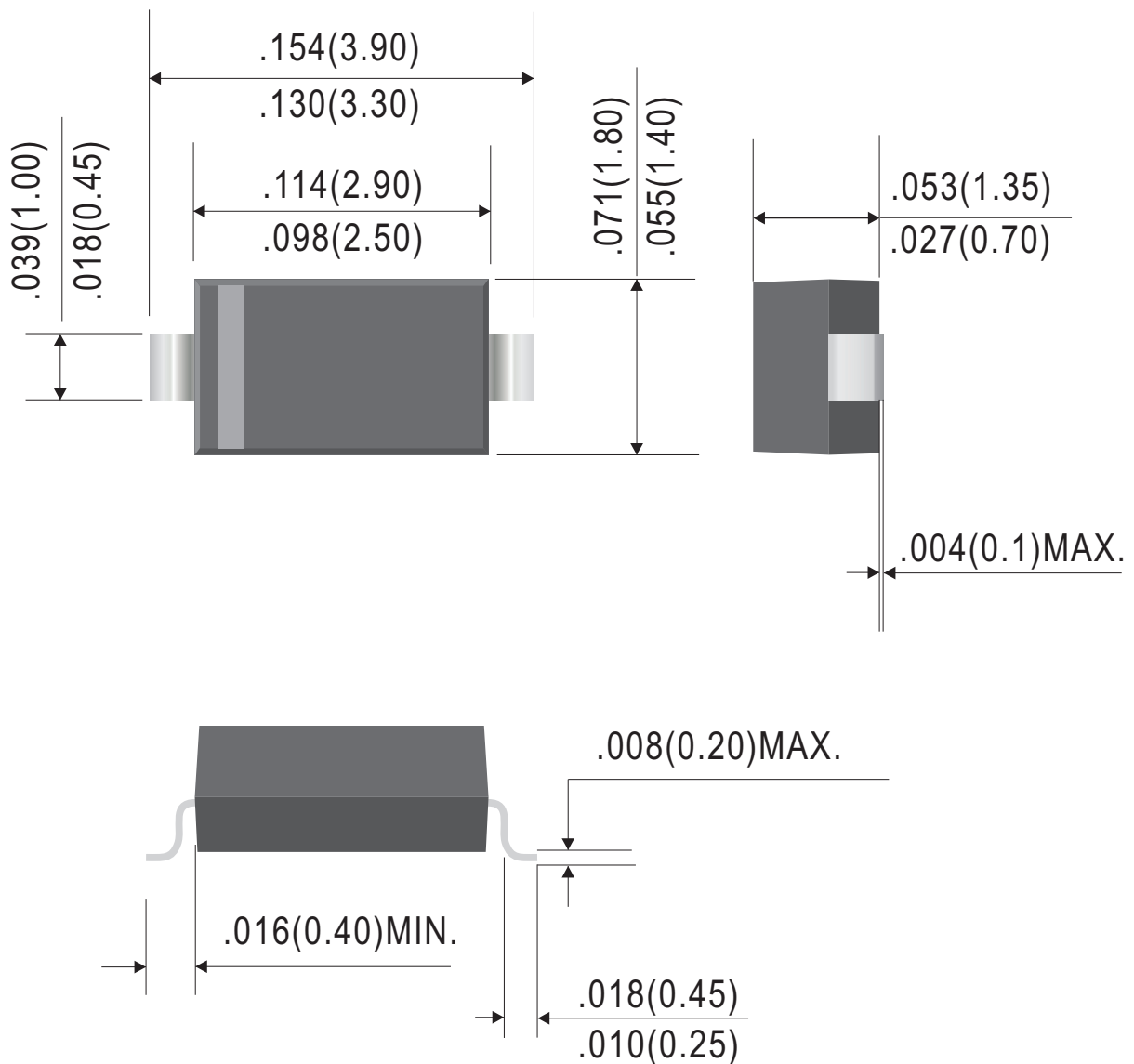


Fig. 2 Leakage Current vs Junction Temperature

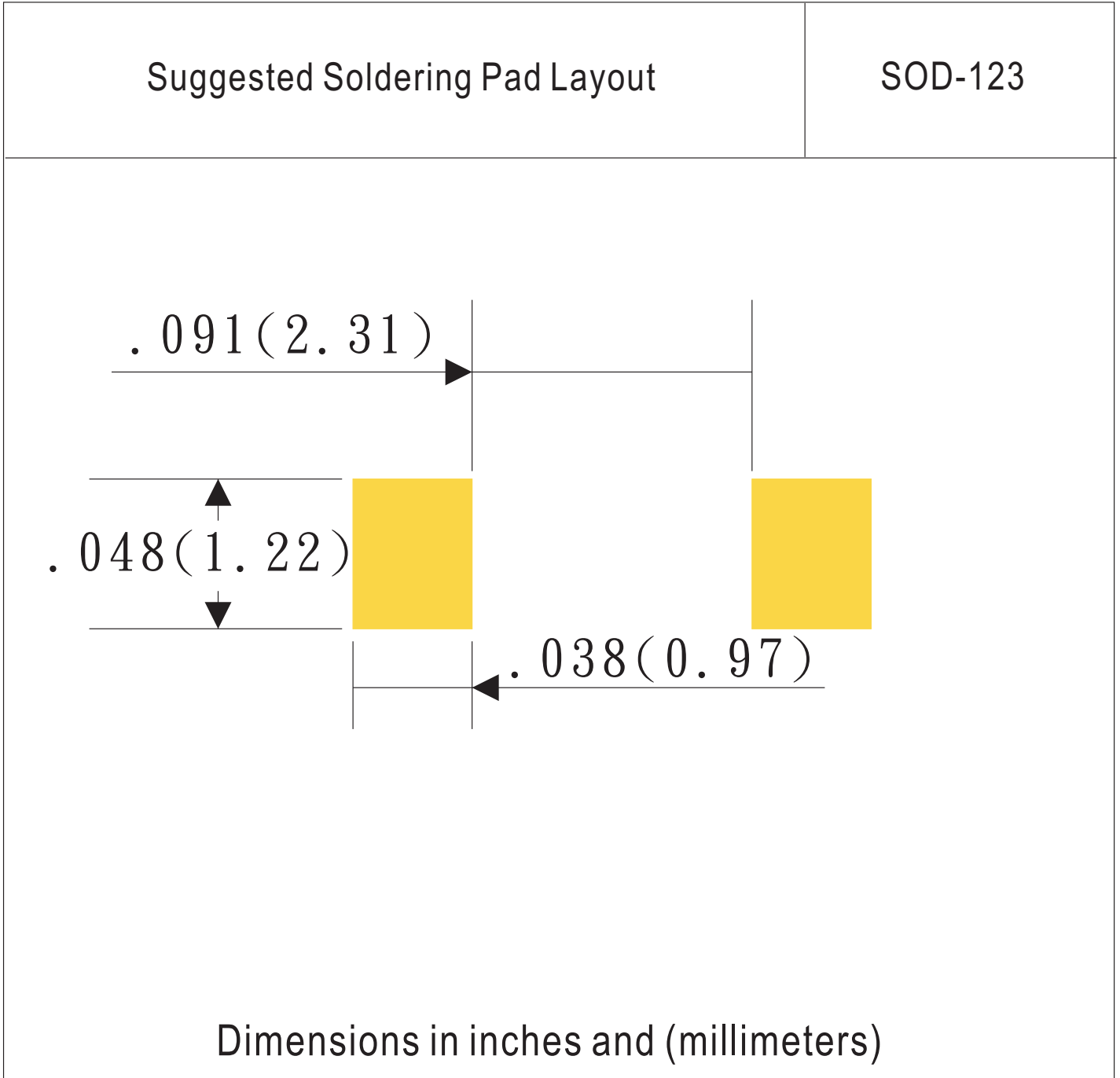
Outline Drawing

SOD-123



Dimensions in inches and (millimeters)

Rev.D



RevA

Ordering Information:

Device PN	Packing
Part Number-T ⁽¹⁾ G ⁽²⁾ -WS	Tape&Reel: 3 Kpcs/Reel

Note: (1) Packing code, Tape&Reel Packing

(2) RoHS product for packing code suffix "G" ; Halogen free product for packing code suffix "H"

*****Disclaimer*****

WILLAS reserves the right to make changes without notice to any product specification herein, to make corrections, modifications, enhancements or other changes. WILLAS or anyone on its behalf assumes no responsibility or liability for any errors or inaccuracies. Data sheet specifications and its information contained are intended to provide a product description only. "Typical" parameters which may be included on WILLAS data sheets and/ or specifications can and do vary in different applications and actual performance may vary over time. WILLAS does not assume any liability arising out of the application or use of any product or circuit.

WILLAS products are not designed, intended or authorized for use in medical, life-saving implant or other applications intended for life-sustaining or other related applications where a failure or malfunction of component or circuitry may directly or indirectly cause injury or threaten a life without expressed written approval of WILLAS. Customers using or selling WILLAS components for use in such applications do so at their own risk and shall agree to fully indemnify WILLAS Inc and its subsidiaries harmless against all claims, damages and expenditures.